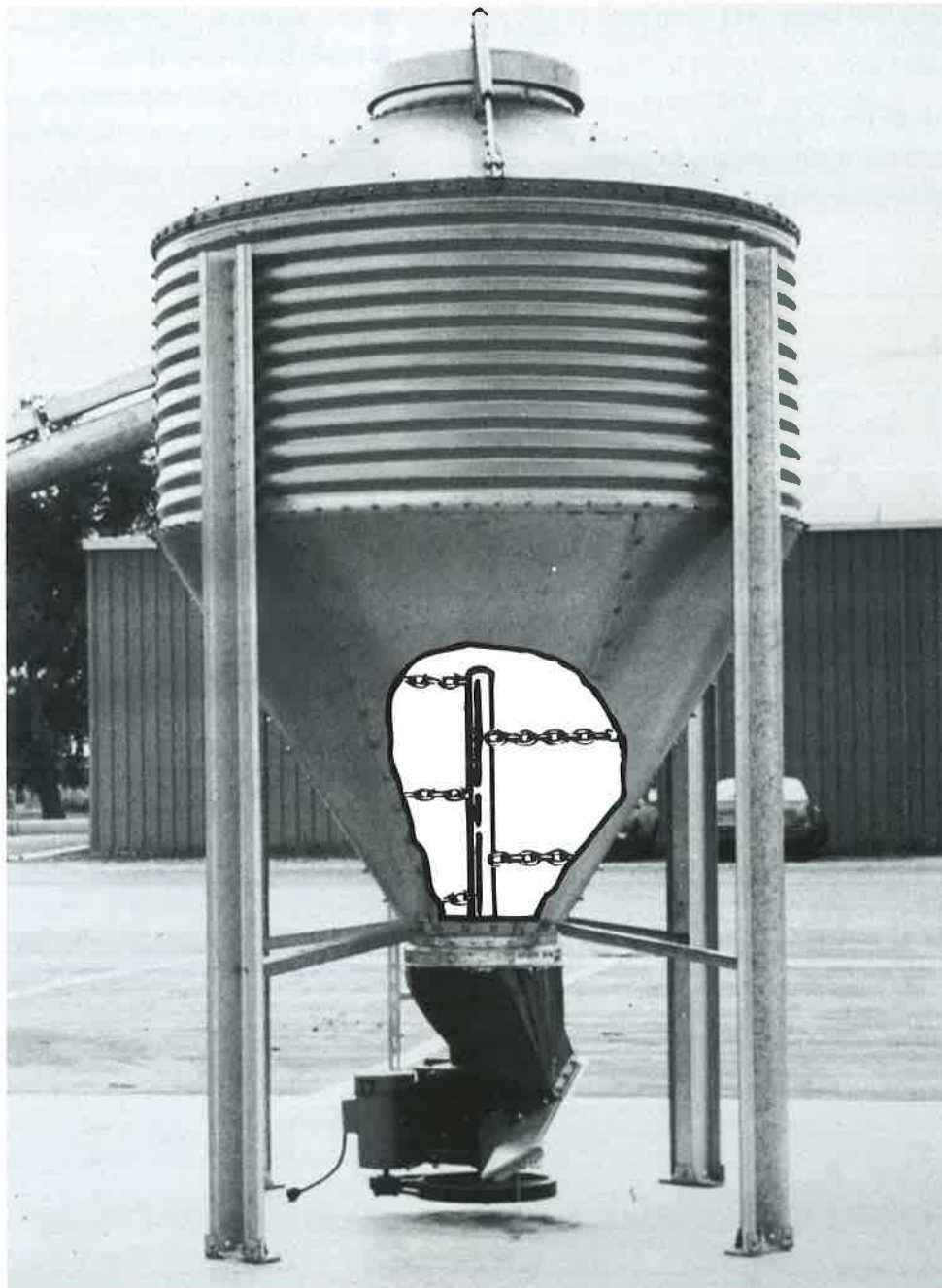


# FLYING DUTCHMAN HOPPER BIN UNLOADER



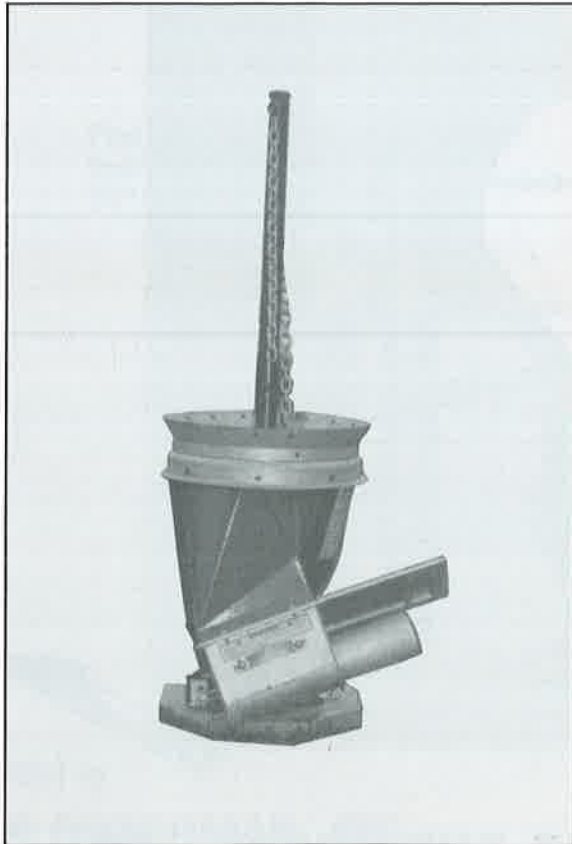
**FLYING DUTCHMAN, INC.**

6631 Egypt Rd., Smithville, Ohio 44677

## Shaft Size 1½"

### Model #40820

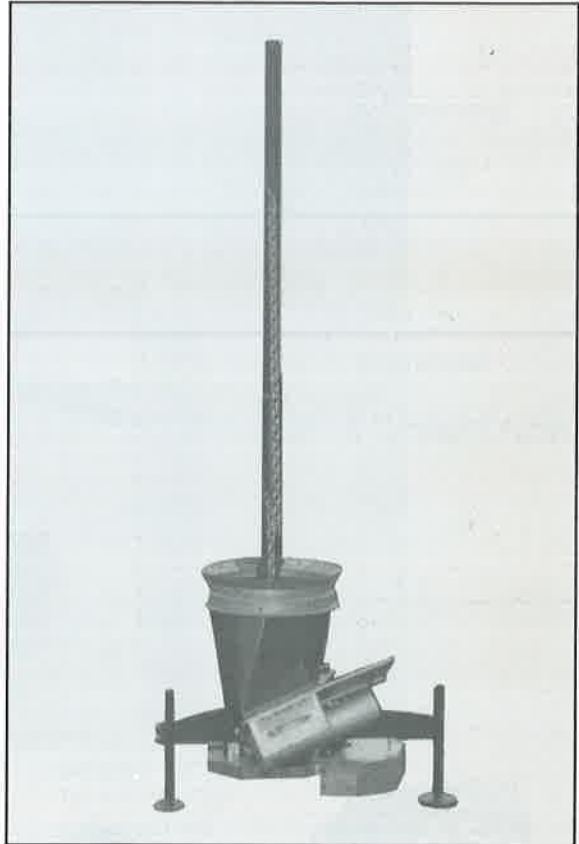
- For bins from 6'-7' in diameter (1 Ring)
- Stem extends upward in the bin 34"
- Central post rotation: 300 RPM approx.
- Unit requires a 1HP Motor; H.M. Corn units-1½ HP motor
- Drive: Belt
- 24<sup>3</sup>/<sub>8</sub>" min. under bin clearance
- Model #40820 has a slide opening flo-control
- 6" x 10" discharge opening



## Shaft Size 2"

### Model #40805

- For bins from 6'-9' in diameter
- Stem extends upward 6' 2"
- Central post rotation: 104 RPM approx.
- Unit requires a 1½ HP Motor
- Drive: Belt & roller chain
- 24<sup>3</sup>/<sub>8</sub>" min. under bin clearance
- Model #40805 has a slide opening flo-control
- 6" x 10" discharge opening



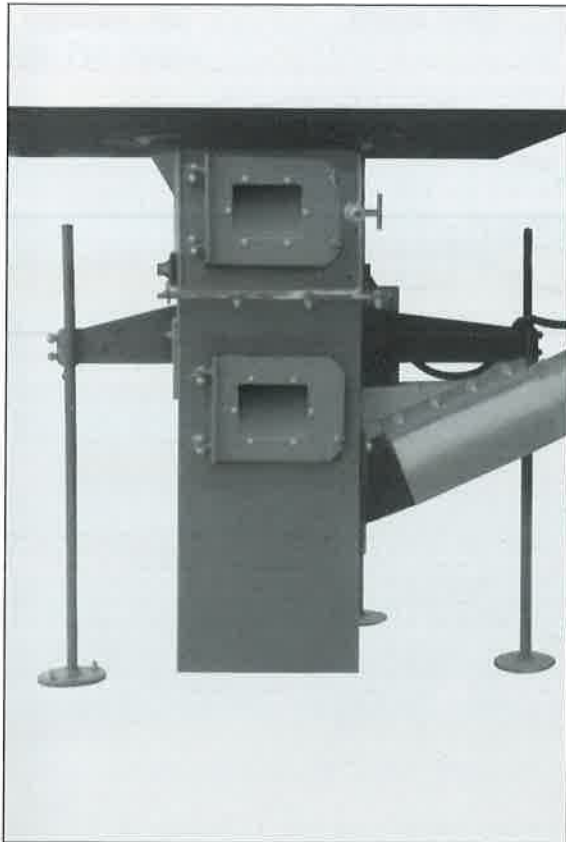
(Collars & auger boots shown on 40820 and 40805, are not supplied from Flying Dutchman. Available from Bin Manufacturers.)

## Shaft Size 2" Model #2103

- For bins from 6'-9' in diameter
- Stem extends upward 6' 2"
- Central post rotation: 80 RPM approx.
- Unit requires a 1½ HP Motor
- Drive: Belt & roller chain
- 24¾" min. under bin clearance\*
- Model #2103 has a variable gate flo-control opening (is available with built in slide gate instead of the flo-control)
- This machine comes equipped with a large discharge opening for faster material delivery

### Applications:

- Feeding conveyors (screw, drag chain, belt, etc.)
- Feeding air lines/air locks/take away-vacuum boxes



## Shaft Size 2 7/16" Model #2503

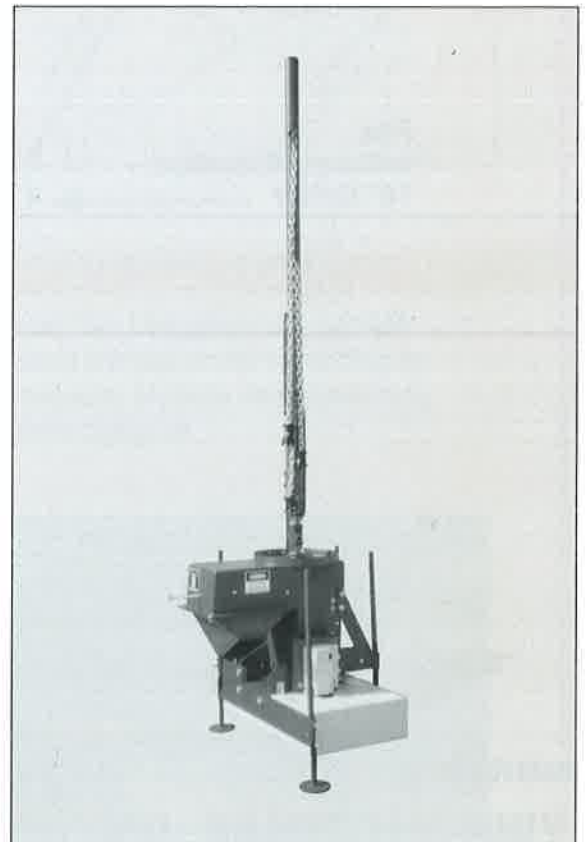
- For bins from 6'-9' in diameter. Model #2503 can be used in some 10' & 12' bins with some material
- Stem extends upward 8'
- Central post rotation: 80 RPM approx.
- Unit requires a 3 HP Motor
- Drive: Belt & roller chain
- 36" min. under bin clearance\*
- Model #2503 has a variable gate flo-control opening (is available with built in slide gate instead of the flo-control)

### Applications:

- Feeding conveyors (screw, drag chain, belt, etc.)
- Feeding air lines/air locks/take away-vacuum boxes

### Options:

- Small slide gate instead of the flo-control
- Large slide gate for truck load out
- 3005 size frame for higher volume output



\* Large single augers and multi-directional/multiple screw discharges require increased under bin clearance

## Shaft Size 3" Model #3005

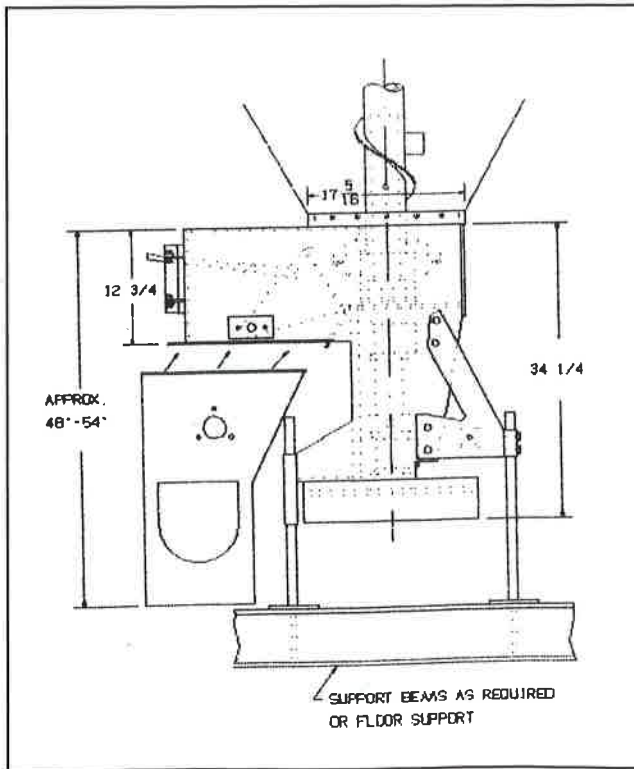
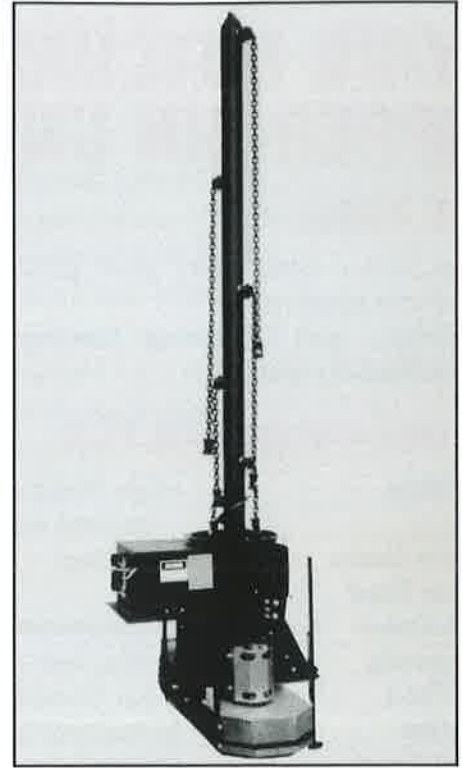
- For bins from 10'-16' in diameter. Model #3005 can be used in some 18' bins
- Stem extends upward 10'
- Central post rotation: 80 RPM approx.
- Unit requires a 7½ HP Motor
- Drive: Belt & roller chain
- 54" min. under bin clearance\*
- Model #3005 has a variable gate flo-control opening (is available with built in slide gate instead of the flo-control)
- This machine comes equipped with a large discharge opening for faster material delivery

### Applications:

- Feeding conveyors (screw, drag chain, belt, etc.)
- Feeding air lines/air locks/take away-vacuum boxes

### Options:

- Small slide gate instead of the flo-control
- Large slide gate for truck load out





# FLYING DUTCHMAN HOPPER BIN UNLOADERS...

## IDEAL FOR:

- Farm bins — beef, dairy, pork, poultry
- Feed mill systems
- Automatic and Computer feeding systems
- Truck loading set-ups

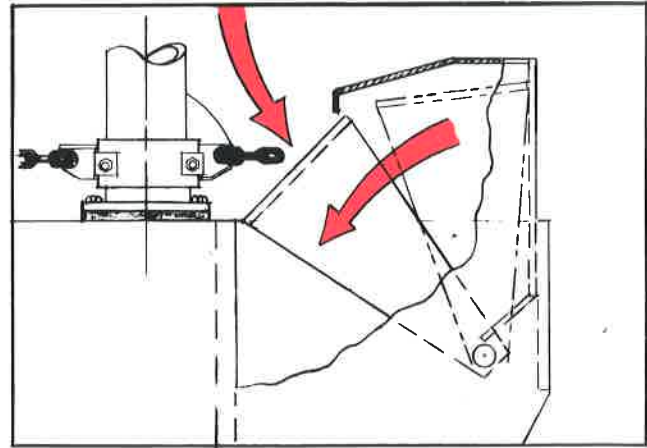
## INCLUDE UNLOADING FOR:

Bone Meal	High Moisture Corn
Bran	ground ear &
Brewer's Grain	shelled
Chicken Feed	Hulls
Concentrates	cottonseed,
Cottonseeds	rice, etc.
Dairy Feed	Meat Scraps
Fish Meal	Molasized Grain
Ground Foods —	Pellets
breads, chocolates,	Soybean Meal
cookies, etc.	Wheat Mids
High Fat Feeds	

## FLO CONTROL MEANS:

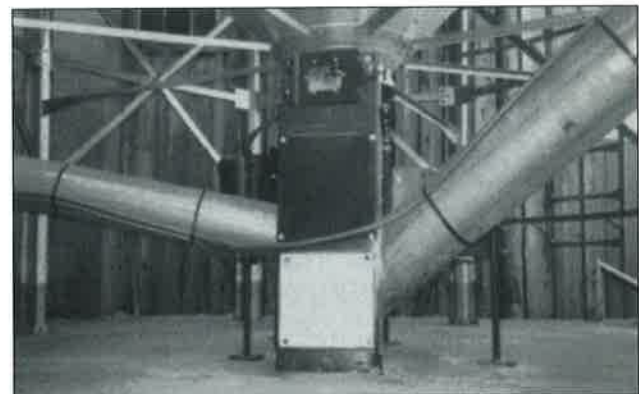
- More uniform flow of feed discharge
- Loose material held back while cutters continue cutting and shredding
- Helps prevent plug ups
- Excellent for blend feeding
- Can be used for all materials

## UPPER FLO-CONTROL



## DISCHARGE HOPPERS/CHUTES:

Flying Dutchman Bin Unloaders can provide both high volume and automatic unloading to discharge conveyors. Multiple conveyors can also be accommodated for.





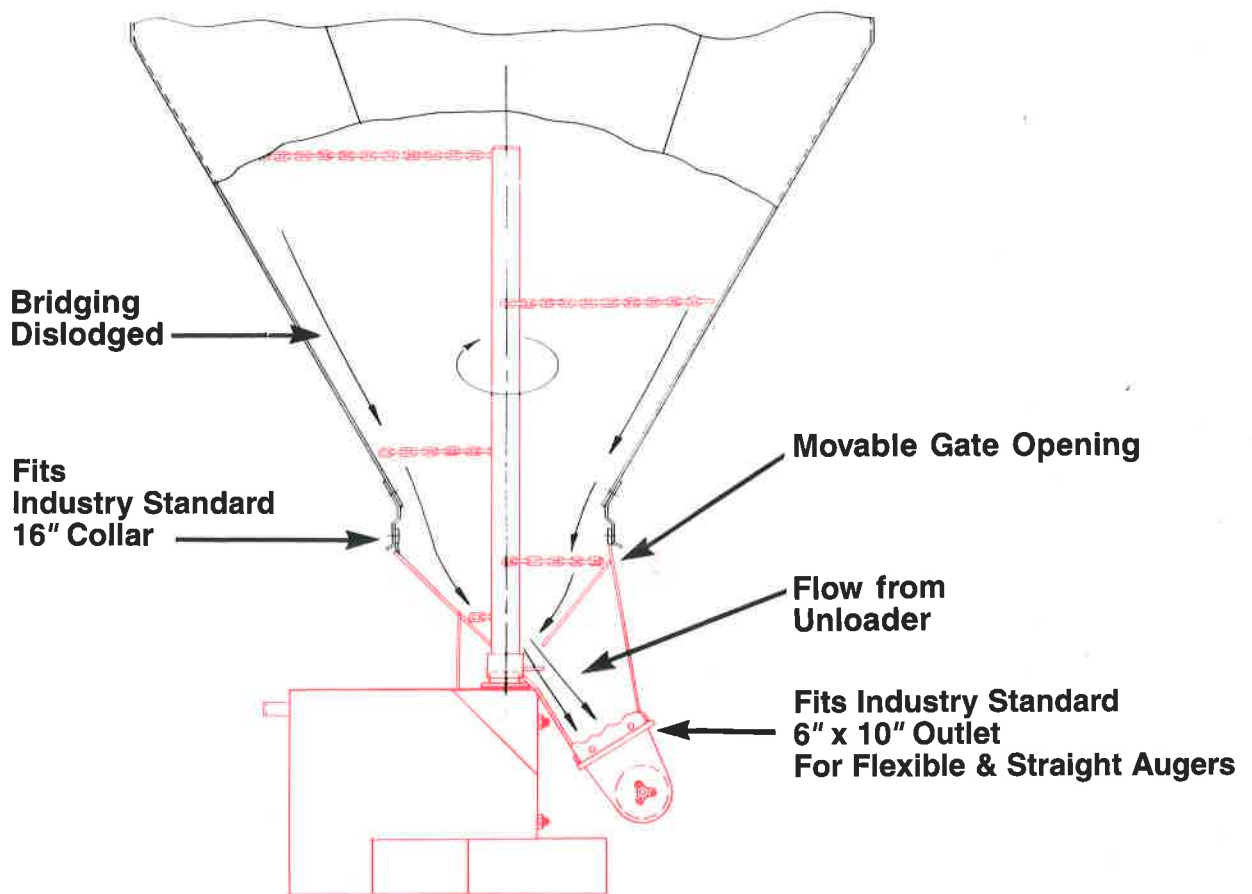
# FLYING DUTCHMAN HOPPER BIN UNLOADER



The simplicity of design and operation of the FLYING DUTCHMAN BIN UNLOADER makes it a favorite with owners. The motor rotates the pole, chains and specially designed cutters [(2" and 3" shaft) at approximately 80 to 100 R.P.M. (1½" shaft) at 300 R.P.M.] digging the material loose.

The length and spacing of the case hardened chain is designed to form a funnel

which automatically directs material to the center discharge opening. The chains dig from the center and leave the outside to support the mass weight of material above. The top cutters continue cutting back the supporting column to within 4 inches of the wall, the column then gradually crushes allowing entire mass of material to move downward.



Manufactured by

**FLYING DUTCHMAN, INC.**

6631 Egypt Road, Smithville, OH 44677 USA

Phone (330) 669-2297 • FAX (330) 669-2892

E-mail: [sales@flyingd.com](mailto:sales@flyingd.com) • [www.flyingd.com](http://www.flyingd.com)

Dealer:

*Comptoir Agricole Ste-Anne*

Tel: 450-582-0957

1-888-891-0957

Fax: 450-585-8957

[www.comptoiragricole.com](http://www.comptoiragricole.com)

